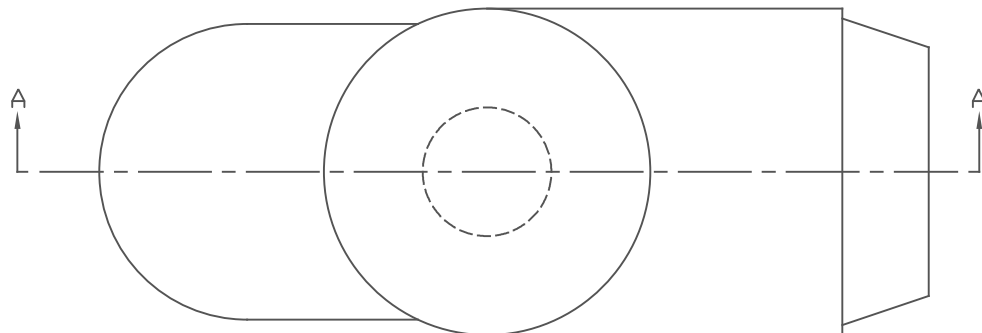


PROPRIETARY RIGHTS ARE CLAIMED FOR THE MATERIAL DISCLOSED IN THIS DRAWING.

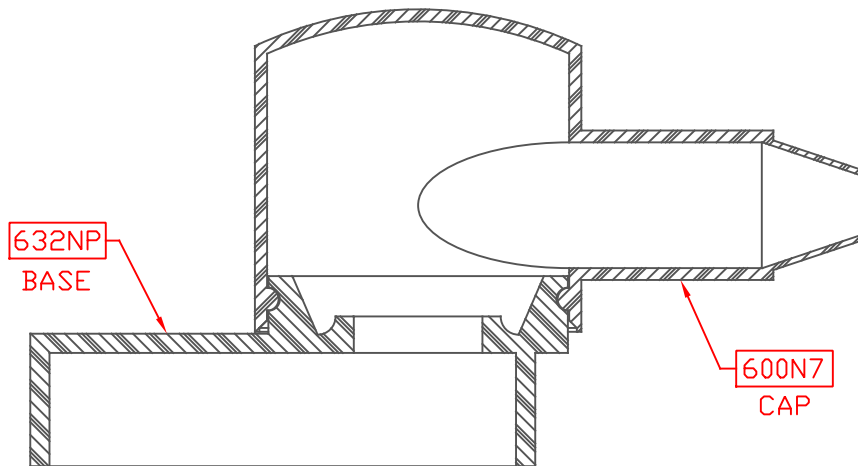
POSITIVE TERMINAL

LTR.	REVISIONS	DATE
✂	*****	00-00-98

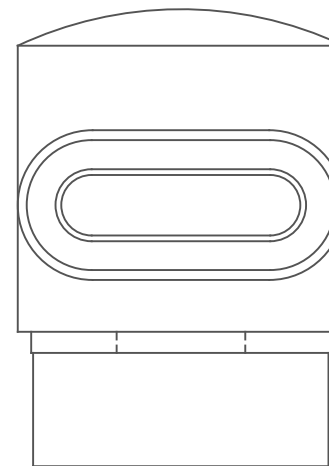


(1) 731N7V02 KIT CONTAINS THE FOLLOWING

QUANTITY	PART #	DESCRIPTION
1	600N7V02	BATTERY TERMINAL CAP
1	632NPV02	BATTERY TERMINAL BASE




SECTION A-A



Material: RED PVC  
 Material Part No: 9812-65-RED683  
 Max. Operating Temp: 105 C  
 Shore Durometer "A" 10 SEC. 67/62  
 Specific Gravity: 1.34  
 Ult. Elongation %: 475  
 Brittle Temp: -44 C  
 Tensile Strength PSI: 1547 PSI  
 Dielectric Strength, v./ml: 540  
 U.L. Rating: 94 V2  
 MEETS: FMVSS.302





VTE Incorporated  
 5437 Robinson Road, P.O. Box 790  
 Pellston, Michigan 49769  
 Telephone: 1-800-527-9256, 231-539-8000  
 FAX: 231-539-0914

REF:	DATE: 5-4-98	DRN BY: JC	WEIGHT: ***
TITLE: MARINE BATTERY TERMINAL BOOT ASSEMBLY		CHK'D BY:	
MATERIAL:		PART NO. 731N7V02	
COLOR:	DRG CLASS		