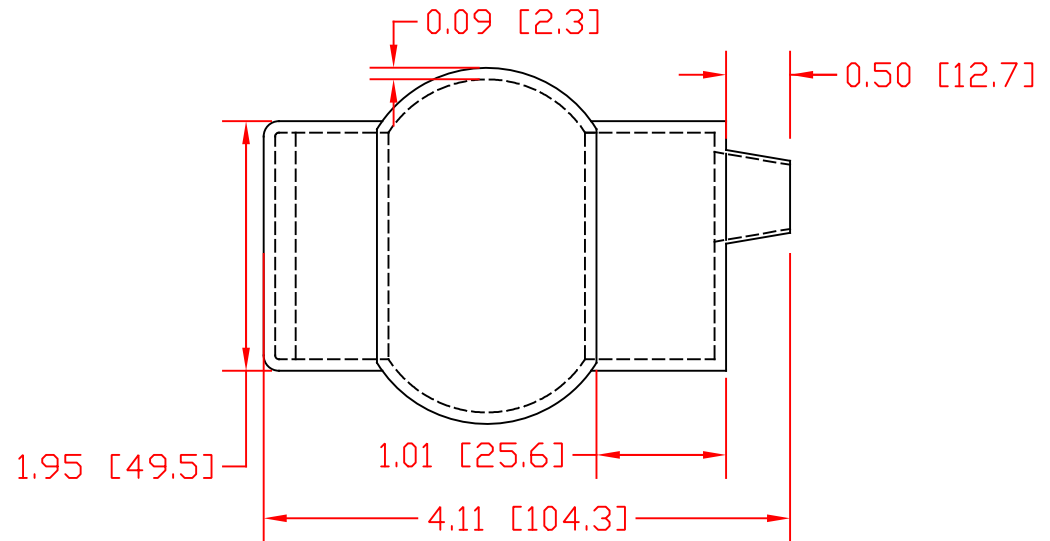
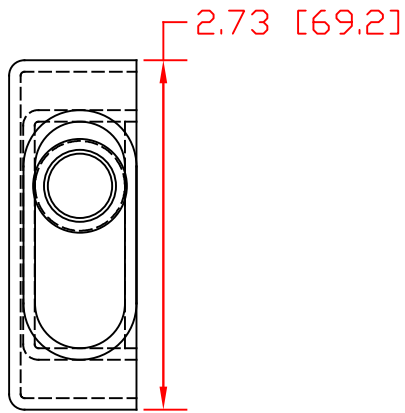
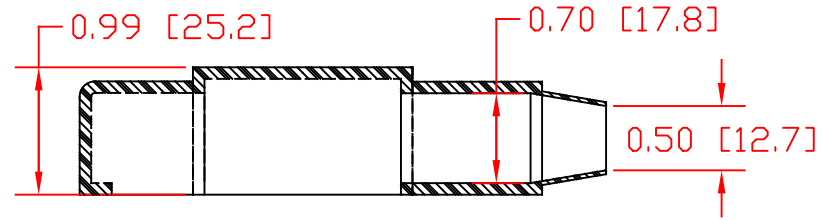


THE INFORMATION CONTAINED IN THIS DRAWING IS THE SOLE PROPERTY OF VTE INCORPORATED. ANY REPRODUCTION IN PART OR WHOLE WITHOUT THE WRITTEN PERMISSION OF VTE INCORPORATED IS PROHIBITED.


LTR.	REVISIONS	DATE



TOLERANCE UNLESS OTHERWISE SPECIFIED:  $\pm 0.030''/\pm 0.8\text{mm}$   
 RADIAL DIAMETERS TO BE MEASURED OVER MANDRELS,  
 RING GAGES OR PIN GAGES OF SUITABLE SIZE

VTE Material Part No:	1101650102
Material:	RED PVC
Material Part No:	9812-65-RED683
Max. Operating Temp:	105 C
Shore Durometer:	"A" 10 SEC. 67/62
Specific Gravity:	1.34
Ult. Elongation %:	475
Brittle Temp:	-44 C
Tensile Strength PSI:	1547 PSI

U.L. Rating:	94 V2
MEETS:	FMVSS.302

		<b>VTE Incorporated</b> 5437 Robinson Road, P.O. Box 790 Pellston, Michigan 49769 Telephone: 1-800-527-9256, 231-539-8000 FAX: 231-539-0914	
		REF: DK26900-3	DATE: 06-JUN-01
TITLE: BATTERY TERMINAL INSULATOR		CHK'D BY: BRH	SCALE:
MATERIAL: PVC	PART NO. 466R3V02		
COLOR: RED	DRG CLASS		