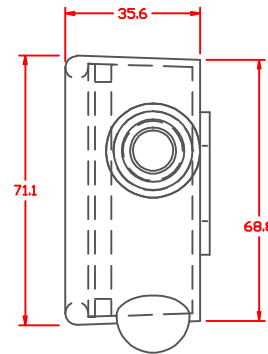
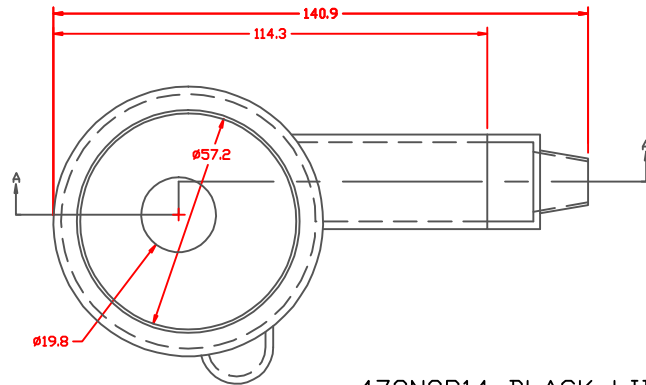


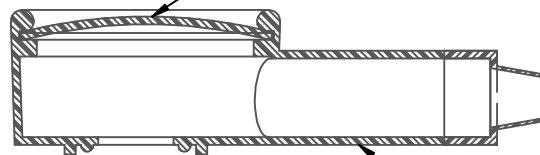
THE INFORMATION CONTAINED IN THIS DRAWING IS THE SOLE PROPERTY OF VTE INCORPORATED. ANY REPRODUCTION IN PART OR WHOLE WITHOUT THE WRITTEN PERMISSION OF VTE INCORPORATED IS PROHIBITED.

LTR.	REVISIONS	DATE
≠	*****	00-00-98

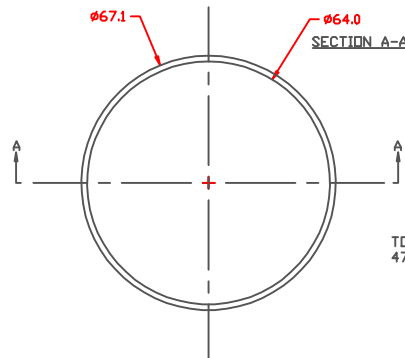
TYP. WALL THICKNESS = 2.0  
TYP. RADIUS = 2.0



479N9P14 BLACK LID  
(SHOWN INSTALLED)



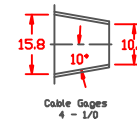
476N7V14 BLACK BASE



TO BE USED WITH VTE  
476 & 480 SERIES



SEAL  
SEAL THICKNESS = .8



TOLERANCE UNLESS OTHERWISE SPECIFIED: ±.030"/±0.8mm  
RADIAL DIAMETERS TO BE MEASURED OVER MANDRELS,  
RING GAGES OR PIN GAGES OF SUITABLE SIZE

BASE HOUSING MATERIAL:  
LID MATERIAL:

BLACK PVC  
BLACK POLYPROPYLENE



VTE Incorporated  
5437 Robinson Road, P.O. Box 790  
Pellston, Michigan 49769  
Telephone: 1-800-527-9256, 231-539-8000  
FAX: 231-539-0914

REF: *****	DATE: 15JUL04	DRN BY: BRH	WEIGHT: *****
TITLE: BATTERY TERMINAL INSULATOR		CHK'D BY: BRH	SCALE: NOTED
MATERIAL: NOTED		PART NO. 776N7 14	
COLOR: NOTED	DRG CLASS *****		