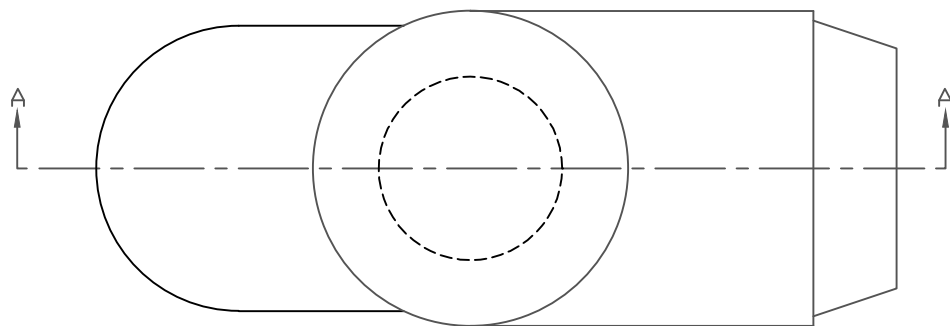


PROPRIETARY RIGHTS ARE CLAIMED FOR THE MATERIAL DISCLOSED IN THIS DRAWING.

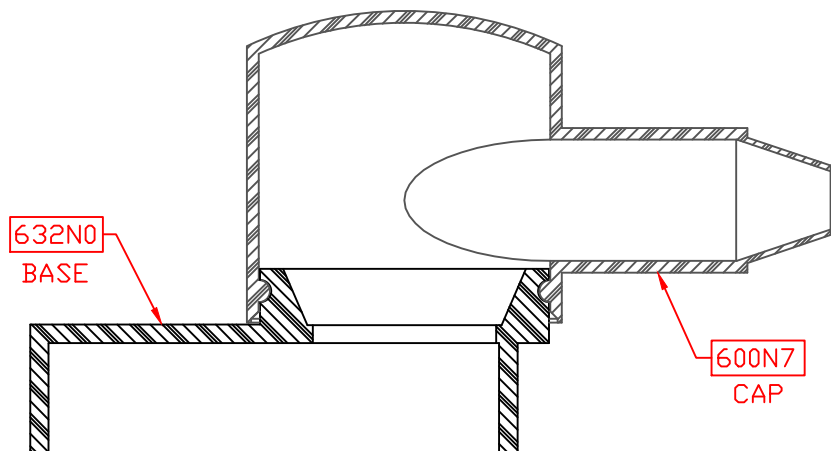
NEGATIVE TERMINAL

LTR.	REVISIONS	DATE
≡	*****	00-00-98

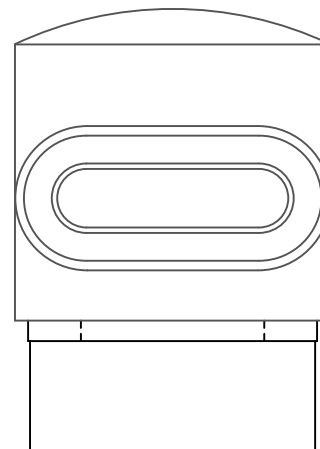


(1) 732N7V14 KIT CONTAINS THE FOLLOWING

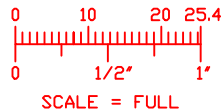
QUANTITY	PART #	DESCRIPTION
1	600N7V14	BATTERY TERMINAL CAP
1	632N0V14	BATTERY TERMINAL BASE




SECTION A-A



Material:	BLACK PVC
Material Part No:	9812-65
Max. Operating Temp:	105 C
Shore Durometer:	"A" 10 SEC. 67/63
Specific Gravity:	1.33
Ult. Elongation %:	520
Brittle Temp:	-36 C
Tensile Strength PSI:	1563 PSI
Dielectric Strength, v./ml:	540
U.L. Rating:	94 V2
MEETS:	FMVSS.302



		VTE Incorporated 5437 Robinson Road, P.O. Box 790 Pellston, Michigan 49769 Telephone: 1-800-527-9256, 231-539-8000 FAX: 231-539-0914	
REF:	DATE:	DRN BY: JC	WEIGHT:
	5-4-98	CHK'D BY:	***
TITLE: MARINE BATTERY TERMINAL BOOT ASSEMBLY			
MATERIAL:		PART NO.	
COLOR:		732N7V14	
DRG CLASS			