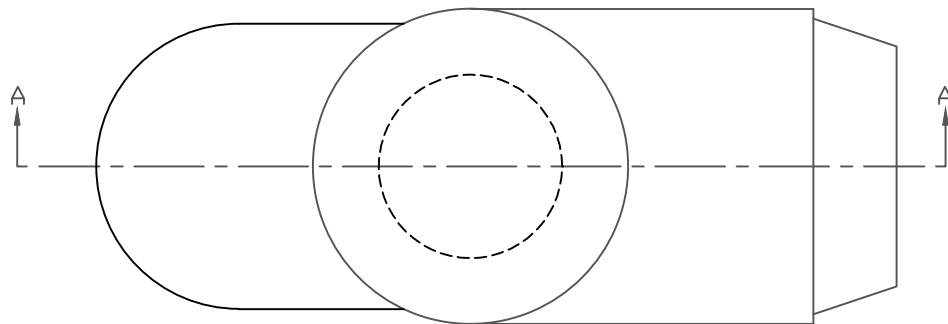


PROPRIETARY RIGHTS ARE CLAIMED FOR THE MATERIAL DISCLOSED IN THIS DRAWING.

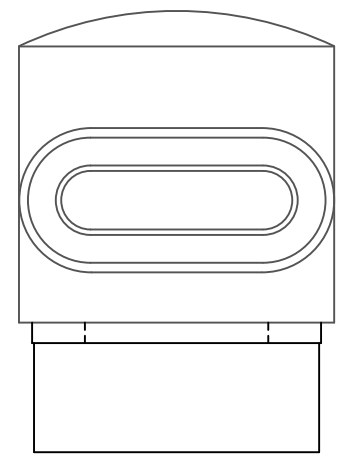
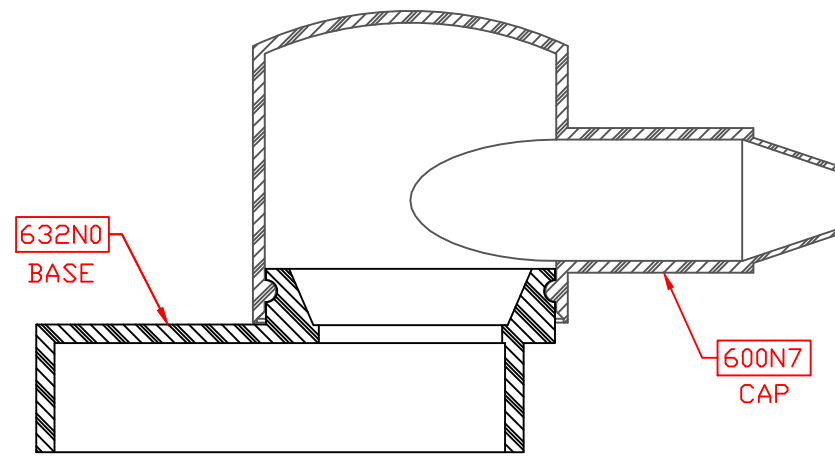
POSITIVE TERMINAL

LTR.	REVISIONS	DATE
≡	*****	00-00-98



(1) 732N7V02 KIT CONTAINS THE FOLLOWING


QUANTITY	PART #	DESCRIPTION
1	600N7V02	BATTERY TERMINAL CAP
1	632N0V02	BATTERY TERMINAL BASE



SECTION A-A

Material: RED PVC
 Material Part No: 9812-65-RED683
 Max. Operating Temp: 105 C
 Shore Durometer: "A" 10 SEC. 67/62
 Specific Gravity: 1.34
 Ult. Elongation %: 475
 Brittle Temp: -44 C
 Tensile Strength PSI: 1547 PSI
 Dielectric Strength, v./ml: 540
 U.L. Rating: 94 V2
 MEETS: FMVSS.302





VTE Incorporated
 5437 Robinson Road, P.O. Box 790
 Pellston, Michigan 49769
 Telephone: 1-800-527-9256, 231-539-8000
 FAX: 231-539-0914

REF:	DATE: 5-4-98	DRN BY: JC	WEIGHT: ****
TITLE: MARINE BATTERY TERMINAL BOOT ASSEMBLY		CHK'D BY:	
MATERIAL:		PART NO. 732N7V02	
COLOR:	DRG CLASS		