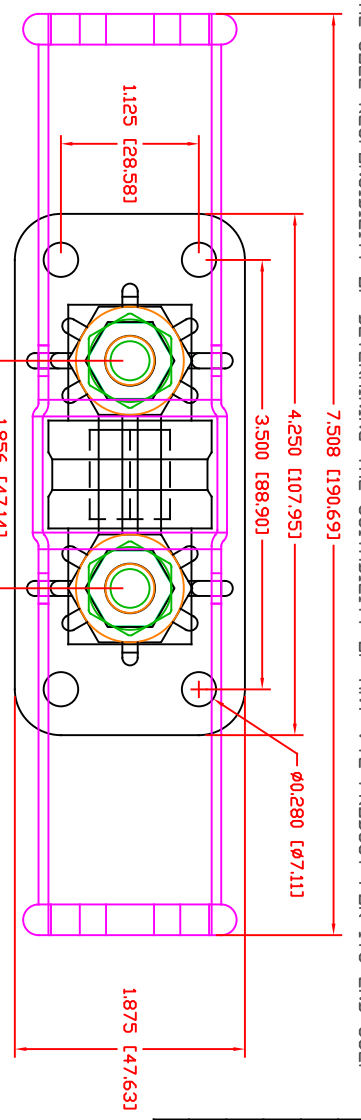


THE INFORMATION CONTAINED IN THIS DRAWING IS THE SOLE PROPERTY OF VTE INCORPORATED. ANY REPRODUCTION IN PART OR WHOLE WITHOUT THE WRITTEN PERMISSION OF VTE INCORPORATED IS PROHIBITED. VTE MAKES NO WARRANTY, EXPRESSED OR IMPLIED, AS TO THE SUITABILITY OF A PRODUCT FOR ANY INTENDED USE. THE CUSTOMER SHALL BEAR THE SOLE RESPONSIBILITY OF DETERMINING THE SUITABILITY OF ANY VTE PRODUCT FOR ITS END USE.



P/N 3740-008  
3/8"-16X2-1/2" STAINLESS STEEL  
HEX HEAD BOLT (2 REQ'D)

P/N 751N8P00 ASSEMBLY  
CLEAR MOLDED COVER  
CONTAINS PART# S : 351N8P00  
16903040001

P/N 3638-000  
3/8" S.S. SPRING WASHER  
(2 REQ'D)

P/N 350N9N14  
MOLDED HOUSING  
(1 REQ'D)

P/N 333N1N14  
HEX CAVITY PLUG  
(2 REQ'D)

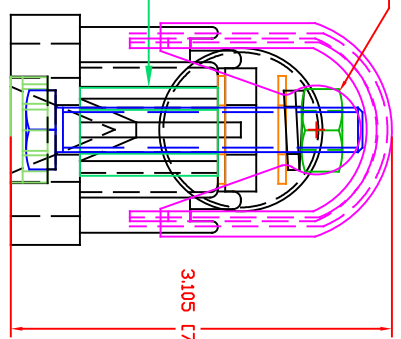
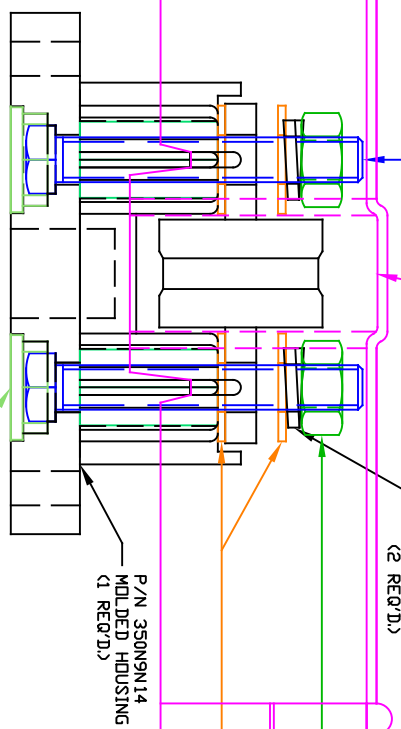
P/N 3644-000  
STAINLESS STEEL FLAT WASHER  
(4 REQ'D)

3844-009 3/8"-16 HEAVY HEX NUT  
STAINLESS STEEL

P/N 3871-000  
STEEL STANDOFF  
(2 REQ'D)

R0.363 [R9.211]

3.105 [78.851]



FUSE NOT INCLUDED  
SHOWN FOR ILLUSTRATIVE PURPOSES ONLY

MAXIMUM AMPERAGE: 400 AMPS @ 12VDC  
MAXIMUM VOLTAGE: 48VDC

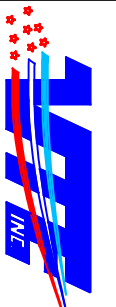
MAXIMUM RECOMMENDED FASTENER TORQUE:  
STAINLESS HEAVY HEX NUT: 180 IN./LBS. [20.3 Nm]

MATERIAL PART NO:  
MATERIAL:  
VENDOR PART NO:  
SPECIFIC GRAVITY:  
MELTING TEMP:  
UL RATING:

111210514UL  
GLASS FILLED NYLON  
HYLON N2015 HL BK  
1.23  
515 F [268 C]  
UL 94 HB

LTR.	REVISIONS	DATE	INT.
A	3740-006 WAS 3740-001	11-15-05	BRH
B	3330 WAS 3230, REV 3740-006, 3740-007, ADDED 3740-008 AND 3844-002	3-08-06	BRH
C	351N8P00 WAS 351N8V00	7-30-15	BRH
D	REPLACED P/N 3844-002 WITH P/N 3844-009	3-18-16	RAS
E	PN 3330V** CHANGED TO 3330N0N**	3-17-17	RAS
F	UPDATED COVER INFO	3-17-17	RAS
G	ADDED ADDITIONAL INFORMATION FOR PROPER USE	2-16-18	RAS

SCALE FACTOR : NONE  
ALL DIMENSIONS GIVEN AS: in [mm]  
TOLERANCES UNLESS OTHERWISE SPECIFIED :  
MOLDED PARTS: ±0.30" [±0.8mm]  
HARDWARE ITEMS: ±0.10" [±0.25mm]



VTE Incorporated  
5437 Robinson Road, P.O. Box 790  
Pellston, Michigan 49769  
Telephone: 1-800-527-9256, 231-539-8000  
FAX: 231-539-0914

REF:	DATE:	DRN BY:	BRH	WEIGHT:
	6-14-05	CHK'D BY:	BRH	
TITLE:	*T* CLASS FUSEHOLDER ASSY.			SCALE:
MATERIAL:	PART NO.			
CDLDR:	DRG CLASS	REV	G	TF B735N8N14