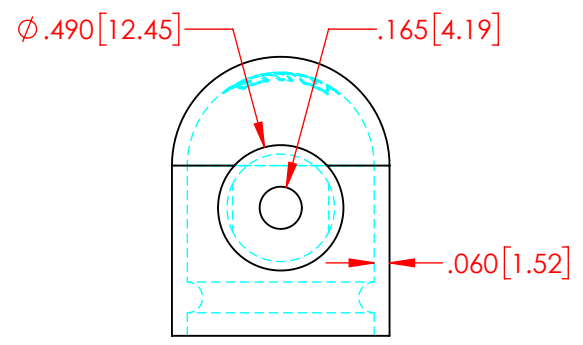
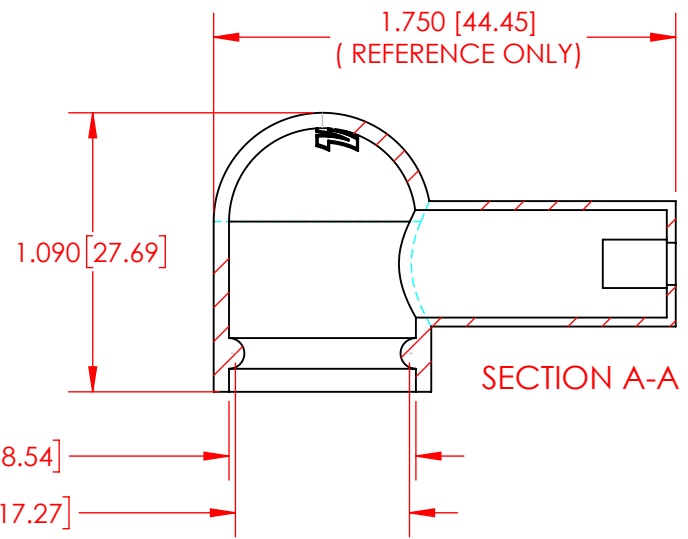
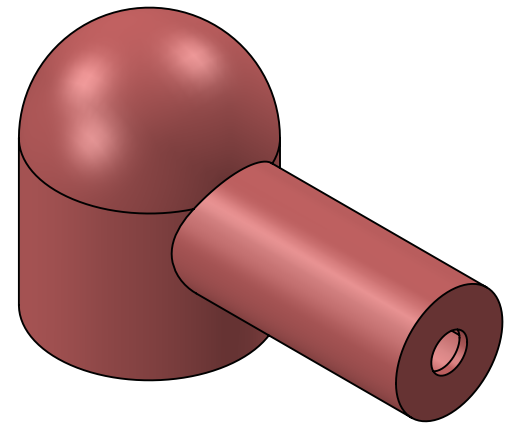
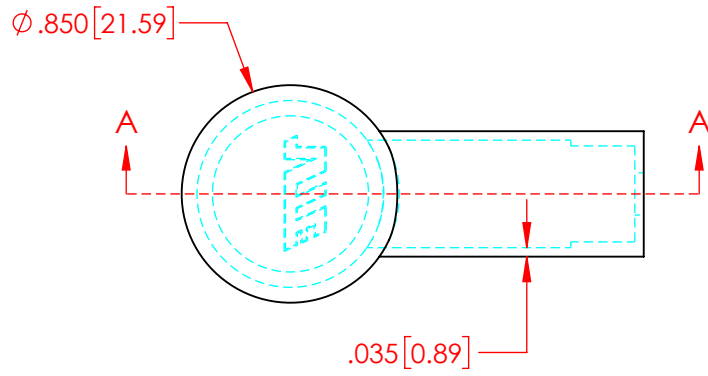


REVISIONS			
REV.	DESCRIPTION	DATE	APPROVED



Material : PVC 9812-65 Red
 Specific Gravity : 1.34
 Hardness 10 sec : 65
 Hardness Scale : A
 Tensile Strength, Psi : 1550
 Elongation, % : 400
 Tear Strength, Ppi : 230
 Flame Class UL : V2
 Brittleness Temp., Degrees C : -48
 Melt Temperature, Degrees F : 315 - 335
 Dielectric Strength Volts/mil. : 511

Part Weight: 0.010 Lbs. [4.46 g]
 Part Color : Red

ALL DIMENSIONS GIVEN AS : INCH [METRIC]
 TOLERANCES UNLESS OTHERWISE SPECIFIED :
 MOLDED PRODUCTS : ±.030" / ±0.8mm

PRINTED COPIES ARE NOT CONTROLLED

PROPRIETARY AND CONFIDENTIAL

THE INFORMATION CONTAINED IN THIS DRAWING IS THE SOLE PROPERTY OF VTE INCORPORATED. ANY REPRODUCTION IN PART OR AS A WHOLE WITHOUT THE WRITTEN PERMISSION OF VTE INCORPORATED IS PROHIBITED.



VTE INCORPORATED

5437 Robinson Road, P.O. Box 790
 Pellston, Michigan 49769 USA
 Telephone : 1-800-527-9256, 231-539-8000
 Fax : 231-539-0914, Efax : 231-344-5914

REV	NAME	DATE
	RAS	5-22-23
SIZE	CHECKED BY:	DATE
A	PJK	5-22-23
DO NOT SCALE DRAWING		

TITLE:	Alternator Boot
DWG. NO.	800N3V02